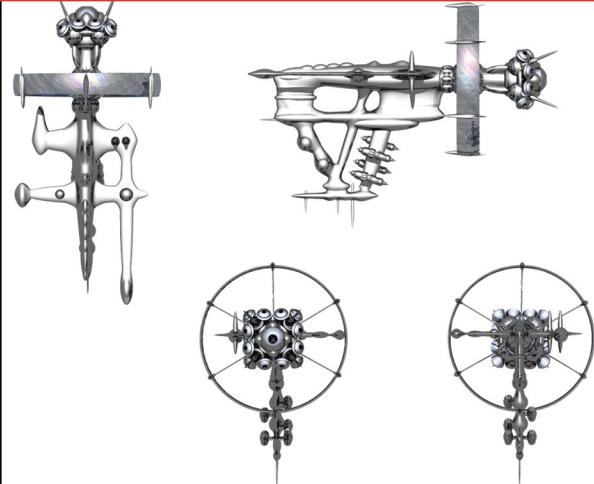
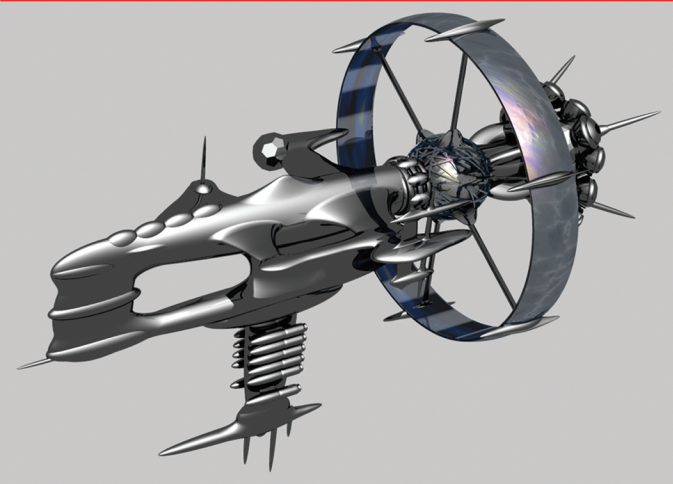




Humans, Humanoids and A.I.'s
 Brad Lansky - Explorer - by Dieter Zimmermann
 Alex John - Brad's friend and co-pilot - by Elliot Leffler
 Clement 3.2c (robot) - Ship's human interface - by Annabel Orford
 Aleph One (A.I.) - Sol Ambassador to Trilux - by Bianca Resnekov
 Spiro (A.I.) - Self-exiled in Ancient Greece - by Alon Cohen
 Giri (A.I.) - An ancient member of G.A.I.A.
 Giri Null (A.I.) - A Fragment of Giri. Lord of the Grefim
 Attos (alien) - Chief Engineer of Planet Lithom, Trilux System

G.A.I.A.: General Artificial Intelligence Assembly: The Collective of all Sol system A.I.'s

A protophonic production. 1133 Broadway, Ste 706, New York, NY, 10010
 Please send mail to info@protophonic.net
 Visit Brad Lansky's world at www.protophonic.net
 Music by OFFROAD E.E.G. Mixing by protophonic.
 Mastering by David Maclean
 Artwork by JZ, JB and Paul Darne.
 Thanks to the Royal Swedish Academy of Sciences for cover image of sun.



The Full Advantage - Brad Lansky's exploration vessel
 Overdog - Sol system warship
 Tokolosh - Sol system warship
 Devil's Pique - Sol system warship

The Grefim (alien) - Hometown in the Torvus Iubar System

Don't miss the first two adventures in the Brad Lansky series:
 'The Alien at Planet X', and 'The Alien Engineer'.

Look out for more Brad Lansky adventures in the not-so-distant future...